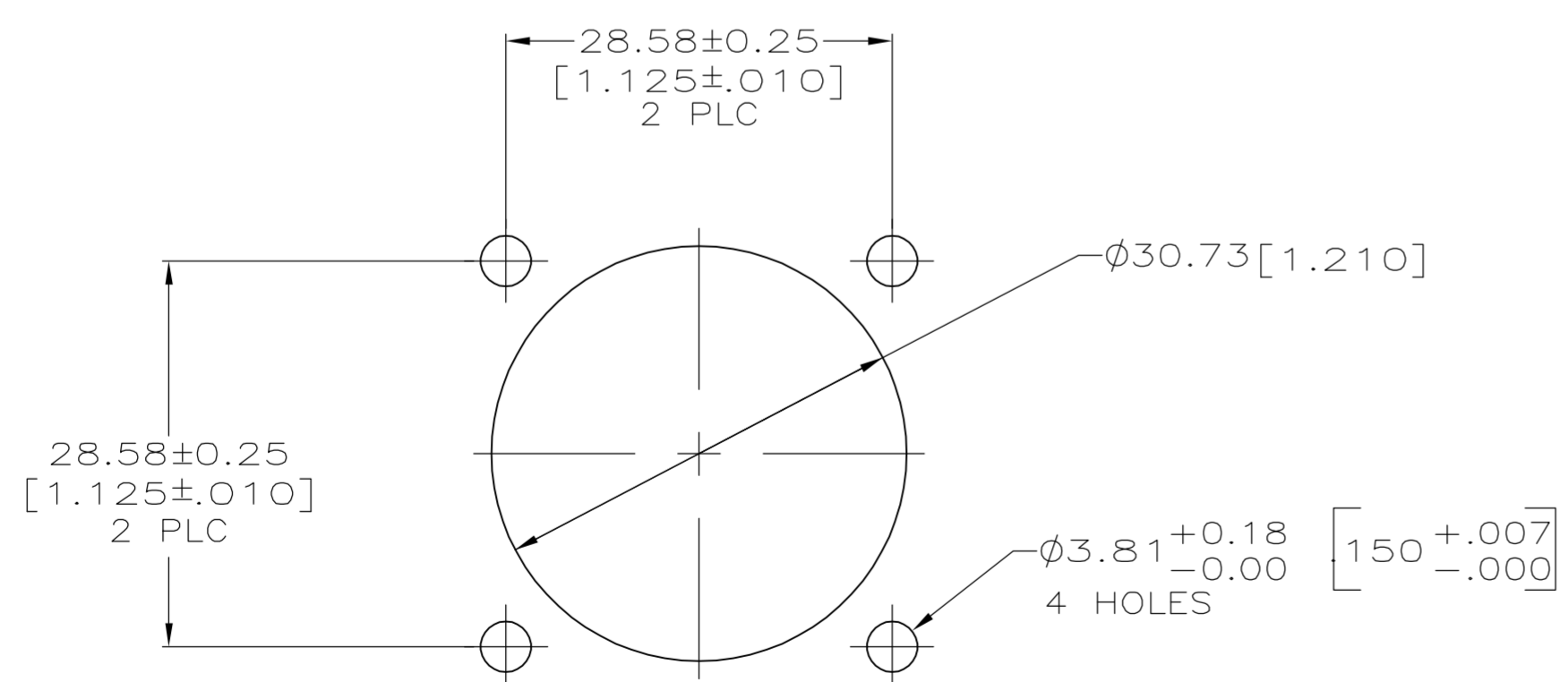
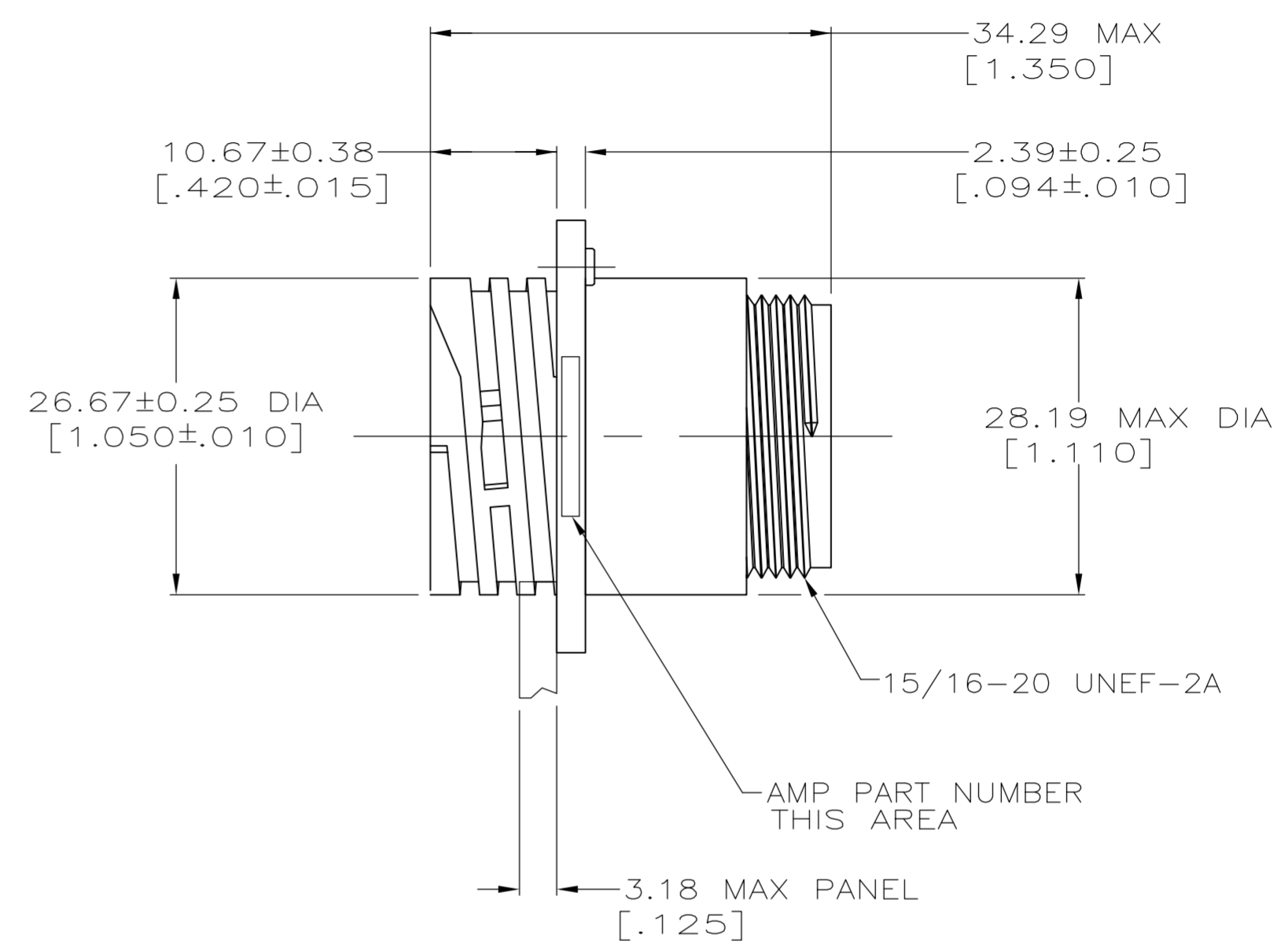
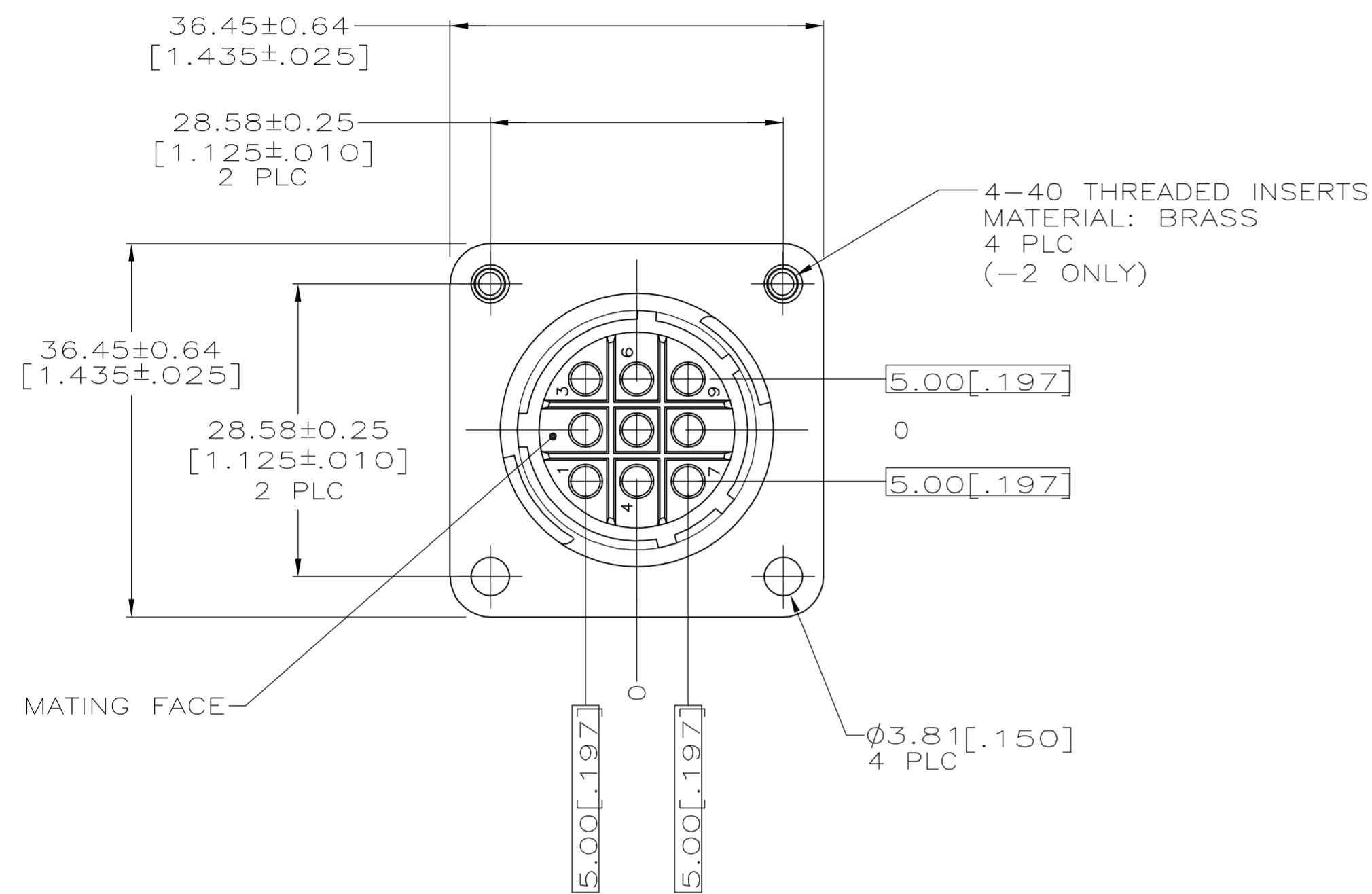


THIS DRAWING IS UNPUBLISHED. RELEASED FOR PUBLICATION  
 © COPYRIGHT BY TYCO ELECTRONICS CORPORATION. ALL RIGHTS RESERVED.

LOC		DIST		REVISIONS			
P	LTR	DESCRIPTION		DATE	DWN	APVD	
FT	0	D		REVISED PER ECO-05-14855	2/23/06	SS SH	



RECOMMENDED PANEL CUTOUT

- ① HOUSING: NYLON, BLACK.  
THREADED INSERTS: BRASS
- 2. CAVITY IDENTIFICATION ON FRONT AND REAR FACE.
- 3. WILL ACCEPT NINE (9) MULTIMATE PIN CONTACTS.

YES	211767-3
YES	211767-2
NO	211767-1
4-40 THREADED INSERTS	PART NUMBER

THIS DRAWING IS A CONTROLLED DOCUMENT.		DWN D.BROCKWAY 09-28-94	Tyco Electronics Corporation Harrisburg, PA 17105-3608		
DIMENSIONS: INCHES		CHK R.STONE 09-30-94			
TOLERANCES UNLESS OTHERWISE SPECIFIED:		APVD -	NAME		
0 PLC ± - 1 PLC ± - 2 PLC ± 0.13 [.005] 3 PLC ± - 4 PLC ± - ANGLES ± - FINISH -		PRODUCT SPEC -	RCPT HSG, STD SEX, VDE, SHELL SIZE 17, CPC		
MATERIAL -		APPLICATION SPEC -	SIZE A2	CAGE CODE 00779	DRAWING NO C=211767
FINISH -		WEIGHT -	RESTRICTED TO -		
CUSTOMER DRAWING			SCALE 2:1	SHEET 1 of 1	REV D